

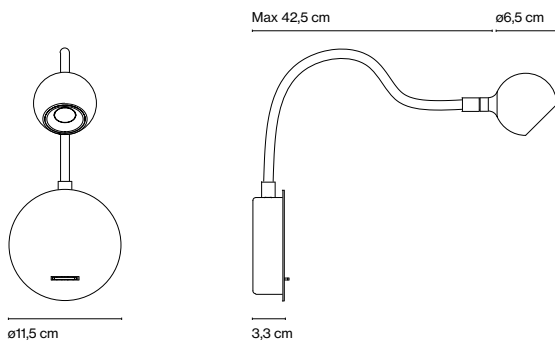


N°8
Christophe Mathieu

marset



N°8



N°8

LED 3,6W 700mA 2700K
Light Source 150lm
(included)

Plate made of lacquered black metal with a flexible black arm, covered in braided fabric. Turned wooden diffuser in natural oak or wenge. Integrated rocker switch at the base of the fixture.

- Oak
- Wenge

[Download](#) Assembly Instructions

[Download](#) 2D

[Download](#) 3D

[Download](#) Energy label

info@marset.com
www.marset.com



The wooden sphere of the N°8's lampshade is handcrafted to make each lamp unique. Its smooth texture has the quality and feel of a billiard ball.