



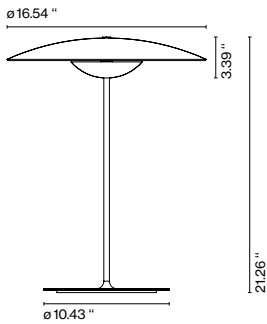
LED-Ginger

Joan Gaspar

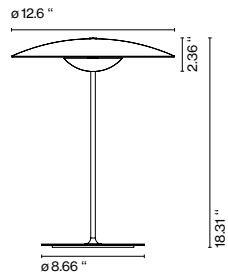
marset



LED-Ginger M



LED-Ginger S



LED-Ginger M*
 LED SMD 21W 700mA
 2700K CRI90
 Delivered lumens 698lm
 (included)

LED-Ginger S**
 LED SMD 14W 700mA
 2700K CRI90
 Delivered lumens 300lm
 (included)

- Oak
- Wenge

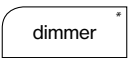
Cable length - 6.6ft

Black electrical cord

Diffuser and pressed wood base of 0.16" in natural oak or wenge. Injected aluminum dissipater and lacquered black matte metal stem.



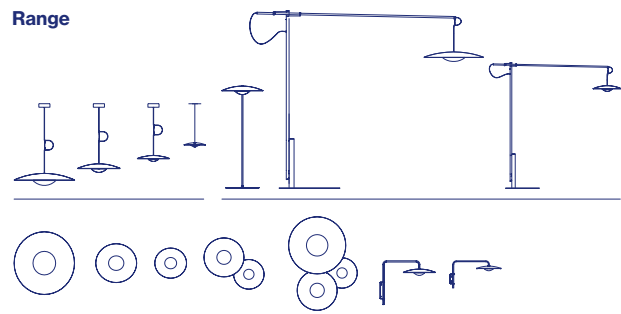
Dry locations only



* In-line 3 step dimmer
 ** In-line progressive dimmer

- [Download](#) Assembly Instructions
- [Download](#) Photometric Data
- [Download](#) 2D
- [Download](#) 3D

Range



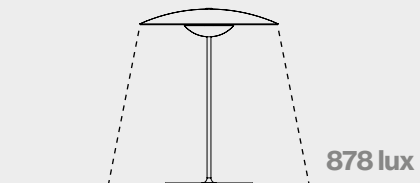
⚠ WARNING. California Proposition 65 Warning for California Consumers. This product can expose you to chemicals including wood dust and lead which are known to the State of California to cause cancer or birth defects or other reproductive harm. For more information go to www.P65Warnings.ca.gov

Watch the video
marsetusa@marset.com
www.marset.com

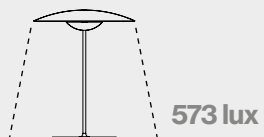
Wood is a great ally of cozy lighting. It is a material that is hard to mold, a challenge that the LED-Ginger collection neatly resolves. The combination of sheets of wood and paper pressed together under high pressure achieves a laminate that appears almost entirely flat.

How LED-Ginger illuminates

LED-Ginger M



LED-Ginger S



LED-Ginger 20 M

