



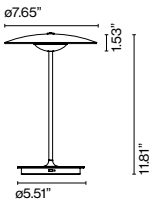
# LED-Ginger

## Joan Gaspar

**marset**



**LED-Ginger 20 M**



**Watch the video**  
[marsetusa@marset.com](mailto:marsetusa@marset.com)  
[www.marset.com](http://www.marset.com)

**⚠ WARNING.** California Proposition 65 Warning for California Consumers. This product can expose you to chemicals including wood dust and lead which are known to the State of California to cause cancer or birth defects or other reproductive harm. For more information go to [www.P65Warnings.ca.gov](http://www.P65Warnings.ca.gov)

**LED-Ginger 20 M**

LED SMD 3.2W 350mA 2700K  
 Light Source 478lm  
 (included)

- Oak
- Wenge
- Brushed brass - Brushed brass
- Brushed brass - White

Diffuser and pressed wood base of 0.16 inches in natural oak or wenge. Injected aluminum dissipater and lacquered black matte metal stem. Battery is located inside the base, with 5 hours of battery life at peak performance.

Dry locations only



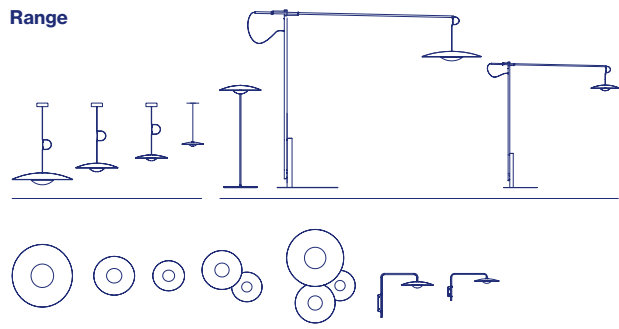
**Battery life**

5 hours in peak power  
 10 hours in half power  
 20 hours in a quarter power

- [Download](#) Assembly Instructions
- [Download](#) Photometric Data
- [Download](#) 2D
- [Download](#) 3D

Battery charging time: 10h

**Range**



Wood is a great ally of cozy lighting. It is a material that is hard to mold, a challenge that the LED-Ginger collection neatly resolves. The combination of sheets of wood and paper pressed together under high pressure achieves a laminate that appears almost entirely flat.

## How LED-Ginger illuminates

### LED-Ginger 20 M

