



Plaff-on!

Joan Gaspar

marset

A design that combines simplicity and functionality and which in this new pendant version comes with a garland accessory allowing different lamps to be

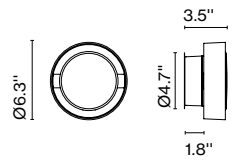
joined to a single point of light. Finally, a neoprene cable ensures waterproofing with no deterioration. The new Plaff-on! projects the light directly downwards.



Plaff-on! 16 IP65

| Code | Finish | Dimming | Electrical |
|-----------------|--------------|---------|--|
| A628-051 | ● Black | ELV | ELV |
| A628-079-31-27K | ● Rust brown | ELV | Electrical Rating: 120VAC 50-60Hz 8.7W |
| A628-069 | ● Black | 0-10V | 0-10V |
| A628-080-31-27K | ● Rust brown | 0-10V | Electrical Rating: 120-277VAC 50-60Hz 8.7W |
| A628-081-39-27K | ● Black | On/Off | AC LED on/off |
| A628-081-31-27K | ● Rust brown | On/Off | Electrical Rating: 120-240VAC 50-60Hz 8.7W |

Luminaire: 225lm
 CCT: 2700K
 CRI: 90



Dimmable: Yes
 Integrated dimmer: No
 Dimming protocols: Phase cut (ELV) and 0-10V

Materials
 Structure: Aluminium
 Shade: Opal blown glass

Suitable for wet locations

LED included



Plaff-on! 33 IP54

| | | |
|-----------------|--------------|---|
| Code | Finish | Electrical |
| A628-062-27K | ● Black | Electrical Rating: 120VAC ELV 50-60Hz 28W |
| A628-062-31-27K | ● Rust brown | 120 - 277VAC 0-10V 50-60Hz 28W |
| | | Luminaire: 1941lm |
| | | CRI: 2700K |
| | | CCT: 90 |

| | | |
|-------------------|--------------|--|
| A628-062-3CCCT | ● Black | Electrical Rating: 120 VAC ELV 50-60Hz 28W |
| A628-062-31-3CCCT | ● Rust brown | 120 - 277 VAC 0-10V 50-60Hz 28W |
| | | Luminaire: 1941lm |
| | | CCT: 2700-3000K-4000K |
| | | CRI: 90 |

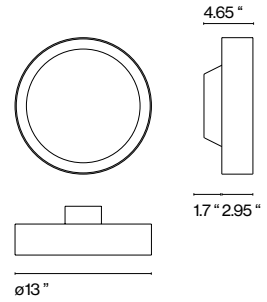
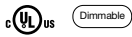
The 3-CCT model has an integrated switch to select the desired color temperature during the installation.

Dimmable: Yes
 Integrated dimmer: No
 Dimming protocols: Dual dimming driver
 Phase cut ELV or 0-10V

Materials
 Structure: Aluminium
 Shade: Opal blown glass

Suitable for damp locations

LED included

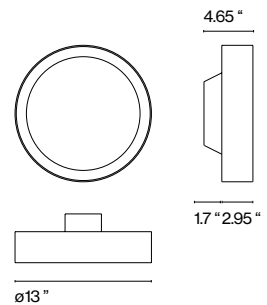


Plaff-on! 33

| | | |
|-------------|--------------|--|
| Code | Finish | Electrical |
| A628-059 | ● Black | Socket: 2xE26 |
| A628-059-31 | ● Rust brown | Suggested lamping: LED TYPE A, 11W max |
| | | Lamping not included |

Dimmable: Yes
 Integrated dimmer: No
 Dimming protocols: Based on specified lamping

Materials
 Structure: Aluminium
 Shade: Opal blown glass



Plaff-on! 50 IP54

| | | |
|-----------------|--------------|--|
| Code | Finish | Electrical |
| A628-063 | ● Black | Electrical Rating: 120 VAC ELV 50-60Hz 36W |
| A628-063-31-27K | ● Rust brown | 120 - 277 VAC 50-60Hz 36W |
| | | Luminaire: 2172lm |
| | | CRI: 2700K |
| | | CCT: 90 |

| | | |
|-------------------|--------------|--|
| A628-063-3CCCT | ● Black | Electrical Rating: 120 VAC ELV 50-60Hz 36W |
| A628-063-31-3CCCT | ● Rust brown | 120 - 277 VAC 0-10V 50-60Hz 36W |
| | | Luminaire: 2172lm |
| | | CCT: 2700-3000K-4000K |
| | | CRI: 90 |

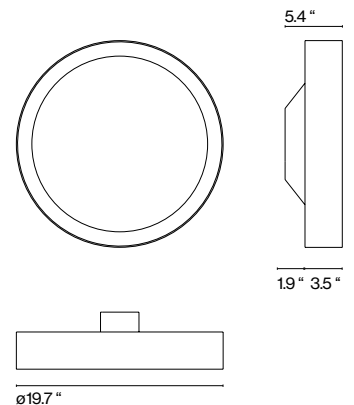
The 3-CCT model has an integrated switch to select the desired color temperature during the installation.

Dimmable: Yes
 Integrated dimmer: No
 Dimming protocols: Dual dimming driver
 Phase cut ELV or 0-10V

Materials
 Structure: Aluminium
 Shade: Opal blown glass

Suitable for damp locations

LED included



Plaff-on! 50

Code A628-060
 A628-060-31

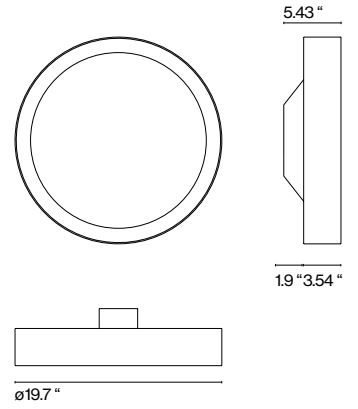
Finish
 ● Black
 ● Rust brown

Electrical
 Socket: 4xE26
 Suggested lamping: LED TYPE A, 11W max
 Lamping not included

Dimmable: Yes
 Integrated dimmer: No
 Dimming protocols: Based on specified lamping

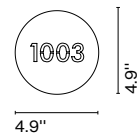
Materials
 Structure: Aluminium
 Shade: Opal blown glass

Suitable for damp locations



Signage Lid

Product type: Accessory
 Product Notes: Minimum order of 3pcs.
 Available upon request.



⚠ WARNING. California Proposition 65 Warning for California Consumers. This product can expose you to chemicals including wood dust and lead which are known to the State of California to cause cancer or birth defects or other reproductive harm. For more information go to www.P65Warnings.ca.gov

marsetusa@marset.com
www.marset.com

Download

Photometric data file (LDT or IES)
 2D, 3D, Photometric Data
 Assembly instructions

Collection

