

Copérnica

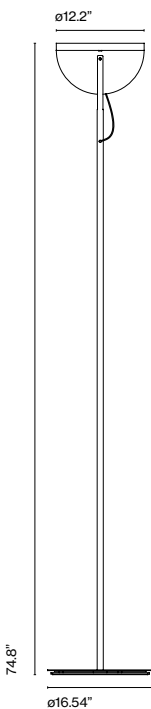
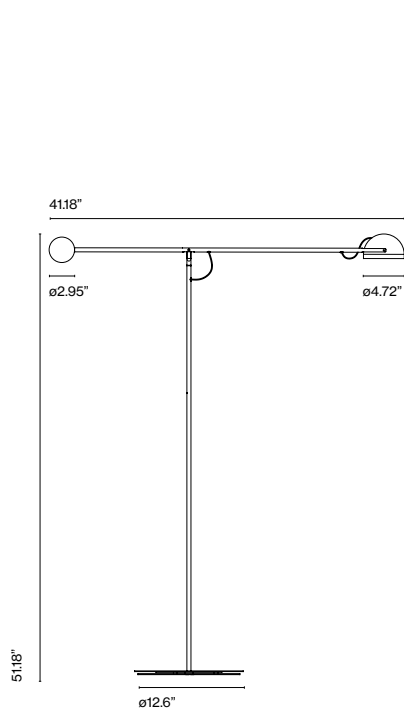
Ramírez i Carrillo

marset



Copérnica P

Copérnica P190



Copérnica P
 LED SMD 7W 500mA
 2700K CRI90
 Delivered Lumens 416.5lm
 (included)
 120 V / 60 Hz

Copérnica P190
 LED SMD 45W 1A
 2700K CRI90
 Delivered Lumens 2302lm
 (included)
 120 V / 60 Hz - 45W

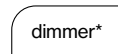
Structure in satin nickel or graphite with the base and counterweight in lacquered steel. Tiltable difusser in aluminum with a built-in switch.

Copérnica P

- Satin nickel - Golden - White
- Satin nickel - Graphite - White
- Satin nickel - Red - White
- Graphite - Golden - Black
- Graphite - Satin nickel - Black
- Graphite - Red - Black

Copérnica P190

- Satin nickel - White
- Graphite - Black



* 3 positions dimmer

Dry locations only

Watch the video
info@marset.com
www.marset.com

- [Download](#) Assembly instructions
- [Download](#) 2D
- [Download](#) 3D
- [Download](#) Photometric data

WARNING. California Proposition 65 Warning for California Consumers. This product can expose you to chemicals including wood dust and lead which are known to the State of California to cause cancer or birth defects or other reproductive harm. For more information go to www.P65Warnings.ca.gov

The collection consists of desktop and standing versions that play with counterweights of mixed materials and density, such as steel and aluminum. This design allows one to move the lamp with great precision, providing a wide range of heights, distances, and adjustments to the beam of light to suite one's taste.