



Copérnica

Ramírez y Carrillo

marset

The Copérnica collection consists of desktop and floor lamps that use counterweights of mixed materials and density, such as steel and aluminum, allowing one to move the lamp with great precision and providing a wide range of heights, distances, and

adjustments to suit one's taste. The Copérnica draws minimalist structures in space, as if it were a canvas, and the carefully selected color schemes add soft chromatic touches to the ensemble.



Copérnica P

- | | |
|----------|-----------------------------|
| Code | Finish |
| A686-052 | Graphite-Golden-Black |
| A686-053 | Graphite-Satin Nickel-Black |
| A686-054 | Graphite-Red-Black |

Electrical
 Electrical Rating: 85-264VAC 50-60Hz 7W
 Luminaire: 416lm
 CCT: 2700K
 CRI: 90

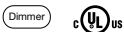
Dimmable: Yes
 Integrated dimmer: Yes
 Dimming protocols: 3-positions dimmer

Materials
 Structure: Steel
 Base: Steel
 Counterweight: Steel
 Diffuser: Aluminum

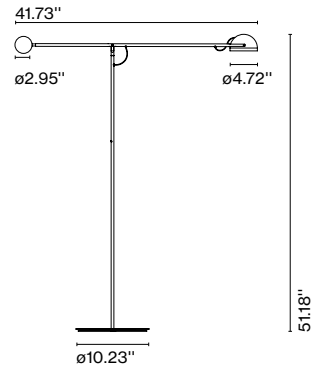
Product details
 Structure: Steel
 Base: Steel
 Counterweight: Steel
 Diffuser: Aluminum

Dry locations only

LED included



WARNING. California Proposition 65 Warning for California Consumers. This product can expose you to chemicals including wood dust and lead which are known to the State of California to cause cancer or birth defects or other reproductive harm. For more information go to www.P65Warnings.ca.gov



Watch the video info@marset.com
www.marset.com

Download Photometric data file (LDT or IES)
 2D, 3D, Photometric Data
 Assembly instructions

Collection

