



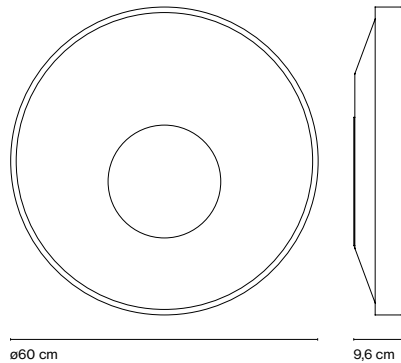
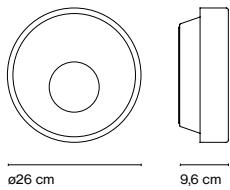
Sun Yonoh

marset



Sun 26

Sun 60



The concept of Sun is inspired by the early hours dawn, when the light of the sun plays along the horizon as it begins to appear. Each of Sun's different materials reflects the light in its own way, much as what happens at the exact moment when the night's darkness gives way to the light.

Sun 26

Light Source:
LED SMD 700mA 12,6W
2700K CRI80 1642lm

Luminaire:
220 - 240 VAC TRIAC 15,6W
949lm
110 - 277 VAC DALI 2 13,8W
949lm

Sun 60

Light Source:
LED SMD 700mA 33,4W
2700K CRI80 4310lm

Luminaire:
180 - 295 VAC TRIAC
39,85W 3089lm
220 - 240 VAC DALI 37,17W
3089lm

LED included

info@marset.com

Lacquered iron structure in white or graphite. Diffuser made of thermoformed opal methacrylate, with another diffuser in opal blown glass placed off-centre.

- White
- Graphite



- [Download](#) Assembly instructions
- [Download](#) 2D
- [Download](#) 3D
- [Download](#) Photometric data