



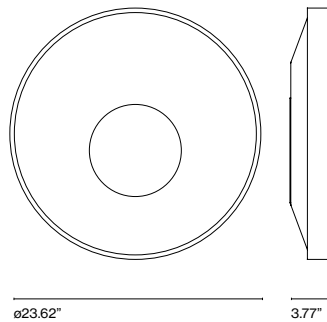
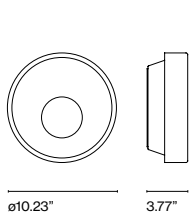
Sun Yonoh

marset



Sun 26

Sun 60



Sun 26
 LED 17W 700mA 2700K
 Delivered lumens 949 lm (included)
 Dual dimming driver: Triac (120V only) or 0-10v (120-277V)

Sun 60
 LED 39W 700mA 2700K
 Delivered lumens 3088lm (included)
 Dual dimming driver: Triac (120V only) or 0-10v (120-277V)

Lacquered iron structure in white or graphite. Diffuser made of thermoformed opal methacrylate, with another diffuser in opal blown glass placed off-centre.

- White
- Graphite



Dry locations only

- [Download](#) Assembly instructions
- [Download](#) 2D
- [Download](#) 3D
- [Download](#) Photometric data

WARNING. California Proposition 65 Warning for California Consumers. This product can expose you to chemicals including wood dust and lead which are known to the State of California to cause cancer or birth defects or other reproductive harm. For more information go to www.P65Warnings.ca.gov

marsetusa@marset.com
www.marset.com

The concept of Sun is inspired by the early hours dawn, when the light of the sun plays along the horizon as it begins to appear. Each of Sun's different materials reflects the light in its own way, much as what happens at the exact moment when the night's darkness gives way to the light.