



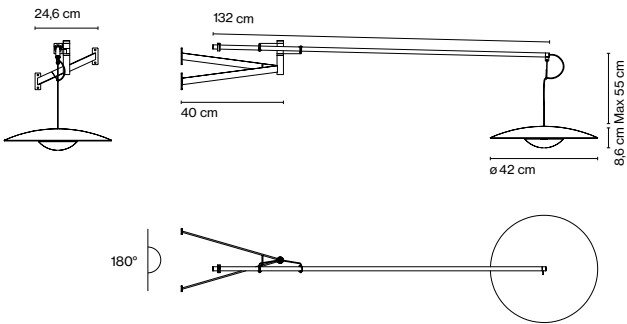
Ginger

Joan Gaspar

marset



Ginger A XL 42



Ginger A XL 42

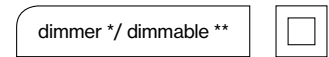
LED SMD 15,4W 700mA
2700K 2130lm
(included)

- Oak
- Wenge

Black electrical cord

Connections available: plug-in, hardwired or recessed

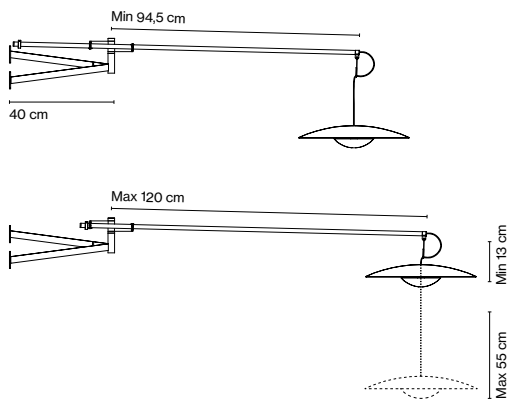
Pressed wood diffuser of 4 mm in natural oak or wenge. Injected aluminium dissipater and metal structure in lacquered black matte. Movable arm made of carbon fiber, lacquered in black matte.



* Plug-in wall fixtures: inline motion sensor dimmer
** Hardwired wall fixtures: dimmable

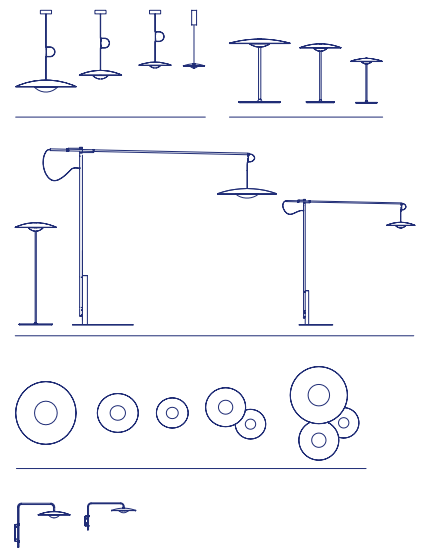
- [Download](#) Assembly Instructions
- [Download](#) Photometric Data
- [Download](#) 2D
- [Download](#) 3D
- [Download](#) Energy label

Variety of positions



Watch the video
info@marset.com
www.marset.com

Range



An adjustable wall lamp with a movable structure that holds the lampshade. This articulated arm offers static movement from one side to another, bringing stability to the whole.

How Ginger illuminates

Ginger A XL 42

